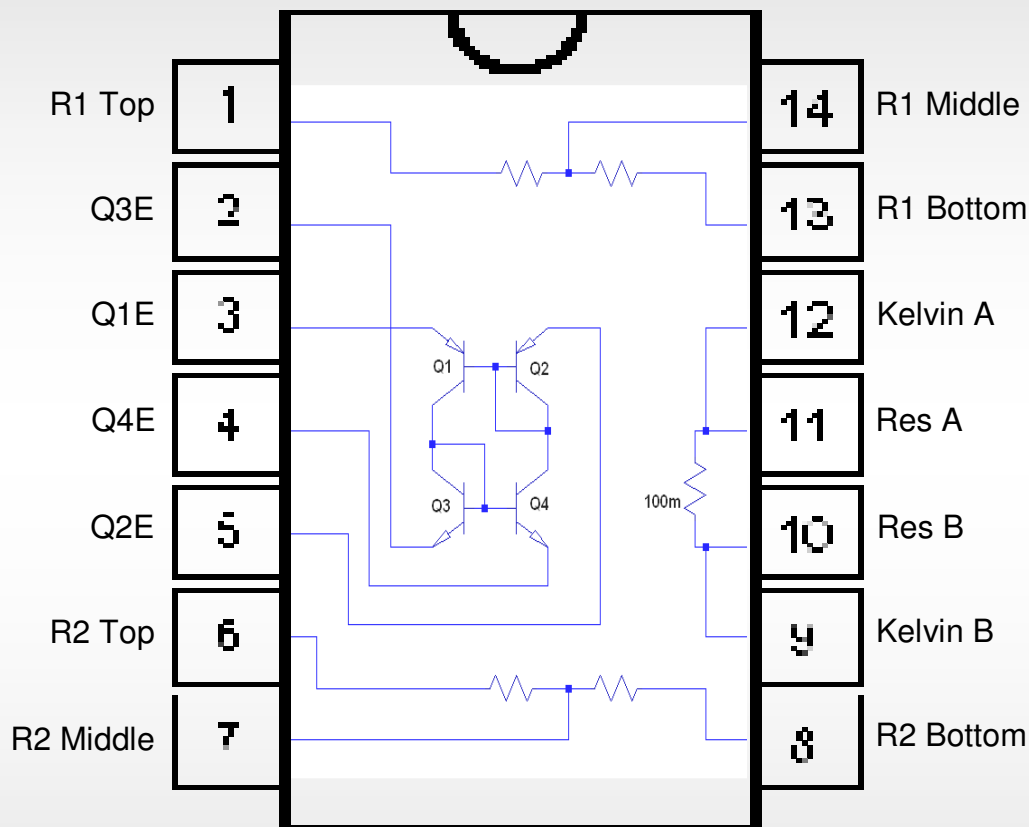


Radiation tolerant, latchup-free

K10

300V Current Mirror, with integrated 100 milliohm Sense Resistor and two center-tapped 1% 15K Resistors



Q1 thru Q4 are lot-matched and thermally-bound high voltage transistors. They are interconnected to form a current mirror which allows the user to sense the current in either a high positive or high negative volt power supply line, for use up to 300 Volts.

The internal precision 100 milliohm current sense resistor is connected in series with the line, and Kelvin connections to the resistor provide the most accurate sensing of the voltage drop.

The uncommitted center-tapped 1% tolerance 15Kohm resistors provide high accuracy and tight temperature-tracking in this high-integration device.