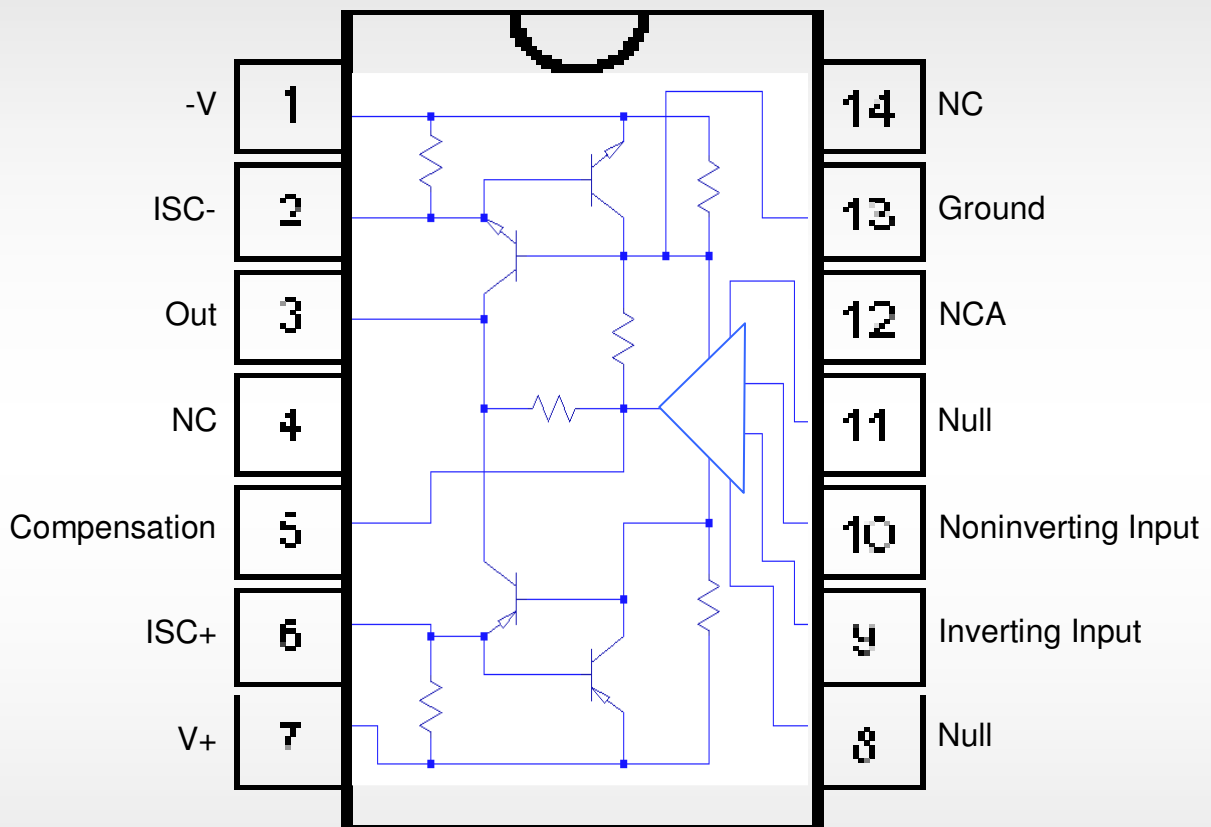


K11

LH0041 Op-amp Buffer, High Current Output



The K11 is capable of delivering large output currents not usually associated with conventional IC Op Amps. The K11 Building Block can provide up to +/-200 mA at voltage levels closely approaching the available power supplies.

The device has internal short-circuit protection, and maximum output current levels for positive and negative can be independently adjusted with external resistors.