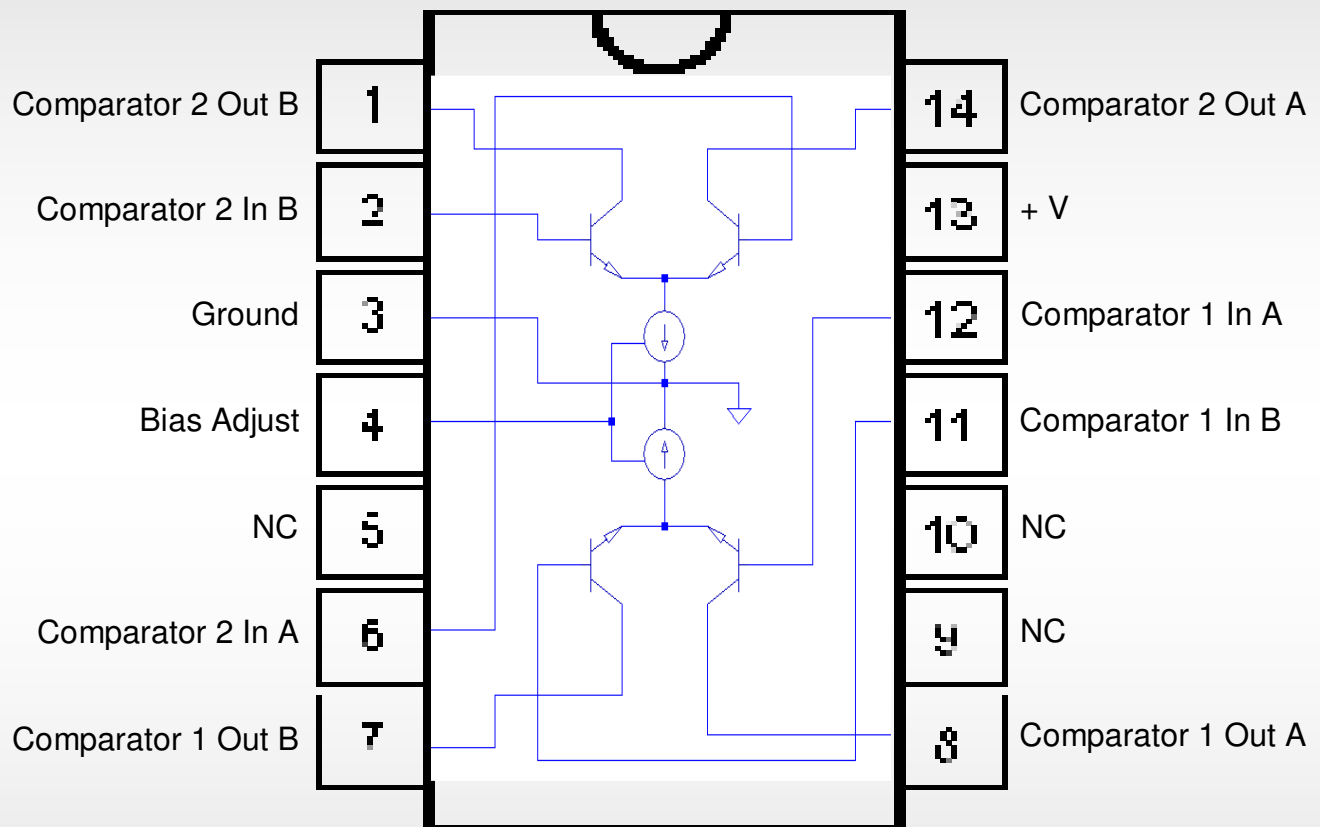


K12

Very High-speed Vgate Voltage Monitor circuit, with Adjustable Over-voltage and Under-voltage logic output



The K12 is a very open-ended K Series Building Block. It consists of two independent differential amplifiers with associated constant current transistors on a common monolithic substrate. The six transistors which comprise the amplifiers exhibit low $1/f$ noise and an fT in excess of 1GHz. These features make the K12 Building Block generally useful from DC to 500MHz. Bias adjustment testpoint and the uncommitted collectors provide maximum application flexibility.

Among its many uses, the K12 can easily be configured as a very high-speed window comparator. As such, it can be used to monitor FET Vgate voltages as a failsafe, or as a power level window comparator as a fast BIT test on amplifier operation.