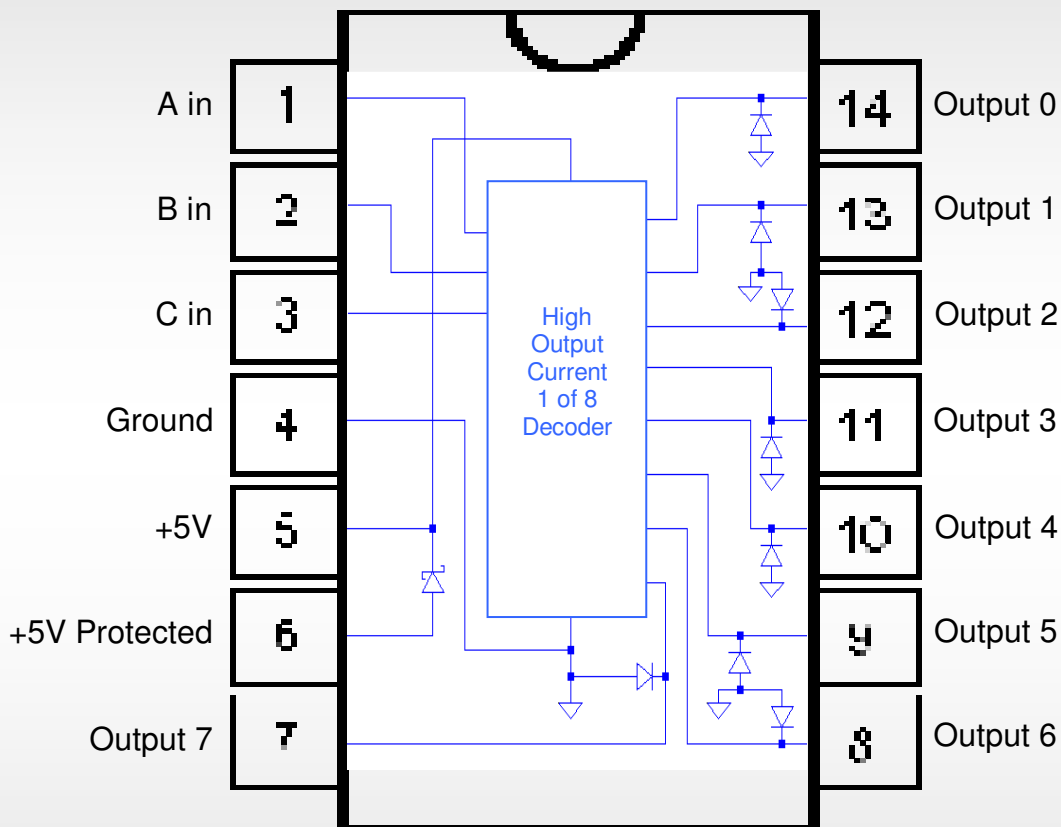


K13

Output Buffered 1 of 8 Decoder, with kick protect diodes, for driving Relays and other High Current Loads



Logic inputs A, B and C are direct connection to a ACT family 1 of 8 decoder. All outputs stay “off” except for the one selected by the three-bit input word. The selected output goes positive, sourcing current into any ground-connected load. Each output of the decoder drives a high-current PNP transistor which allows for high output currents to 100 mA typically, to be driven. Internal snubbing diodes on each output make driving inductive loads very safe and simple.

The internal +5V protection diode is a very low-drop schottky. Access to the +5V after the protection diode allows the designer to avoid using the diode if so desired. It also allows the protected positive line to be bypassed by an external capacitor, if needed.