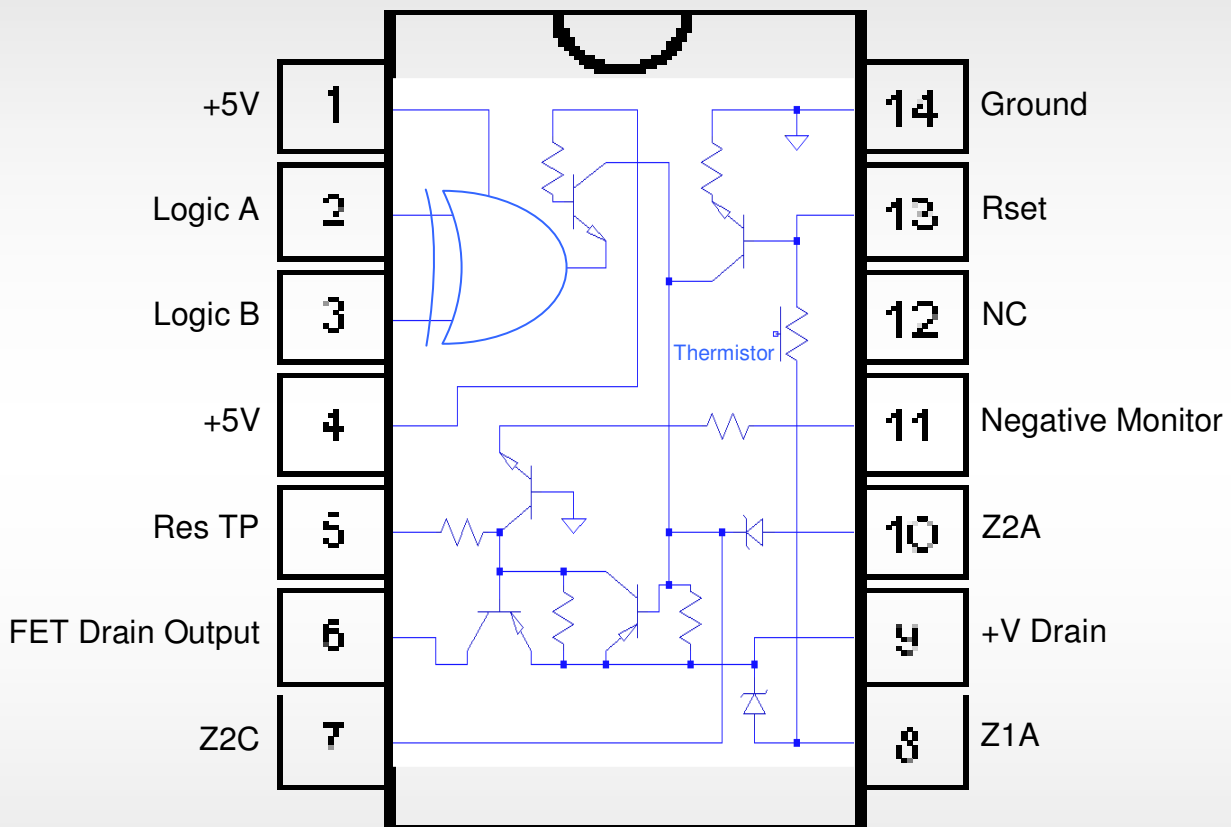


K18

Multi-function FET amplifier protector, with Logic Shutdown, Over-temp, Under- and Over- voltage, more



The K18 Building Block is a multi-function subcircuit designed to provide several forms of protection and control for FET amplifiers. Several testpoints are provided, to facilitate varied applications.

If the K18 body is mounted in thermal contact with the FET amp, it will protect the amplifier from overheating because there is an internal thermistor and an external Rset resistor which can be set to deny Drain current to the amplifier if an overtemperature condition is sensed.

Two X-Or inputs are provided which can be used to force a shutdown of the amp by TTL logic.

The FET amp Vgate can be sensed by the Negative Monitor pin, and if the Vgate becomes absent or insufficient, it will force a protective shutdown of the amplifier Drain current.