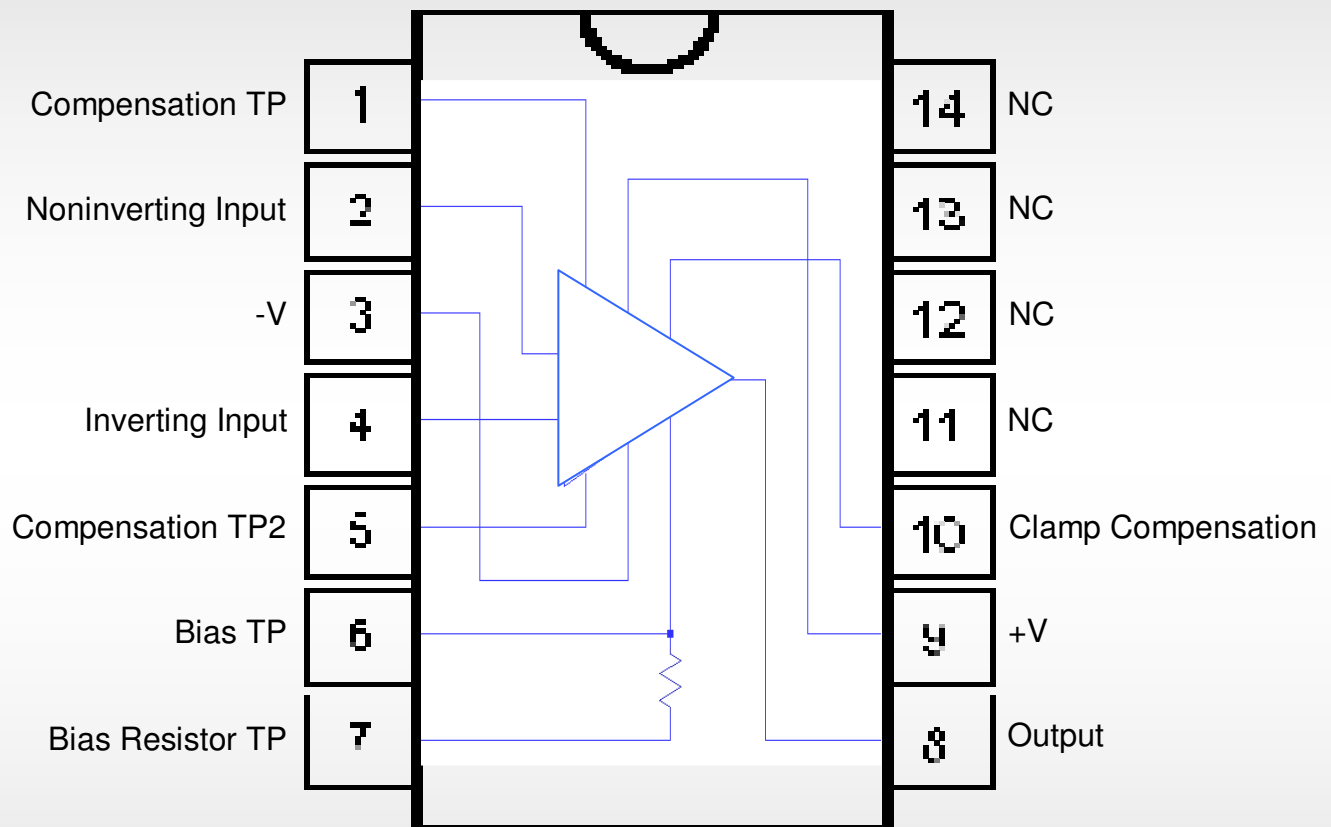


Radiation tolerant, latchup-free

K19

High Voltage Op-amp, +/-40V output range, Similar to LH0004



The LH0004 was a ground-breaking high voltage opamp, with good high-current output capability as well. The K19 provides an update to that circuit, now using modern transistors and an improved package to be even better than the original.

The high output current capability of the K19 Building Block makes it suitable for proportionally-controlled heaters, YIG oscillator dither coil driving, and electrochemical/electrothermal robotic actuators. The high voltage capability makes it a good choice for driving Lithium Niobate and Piezo materials that require high voltage for operation.