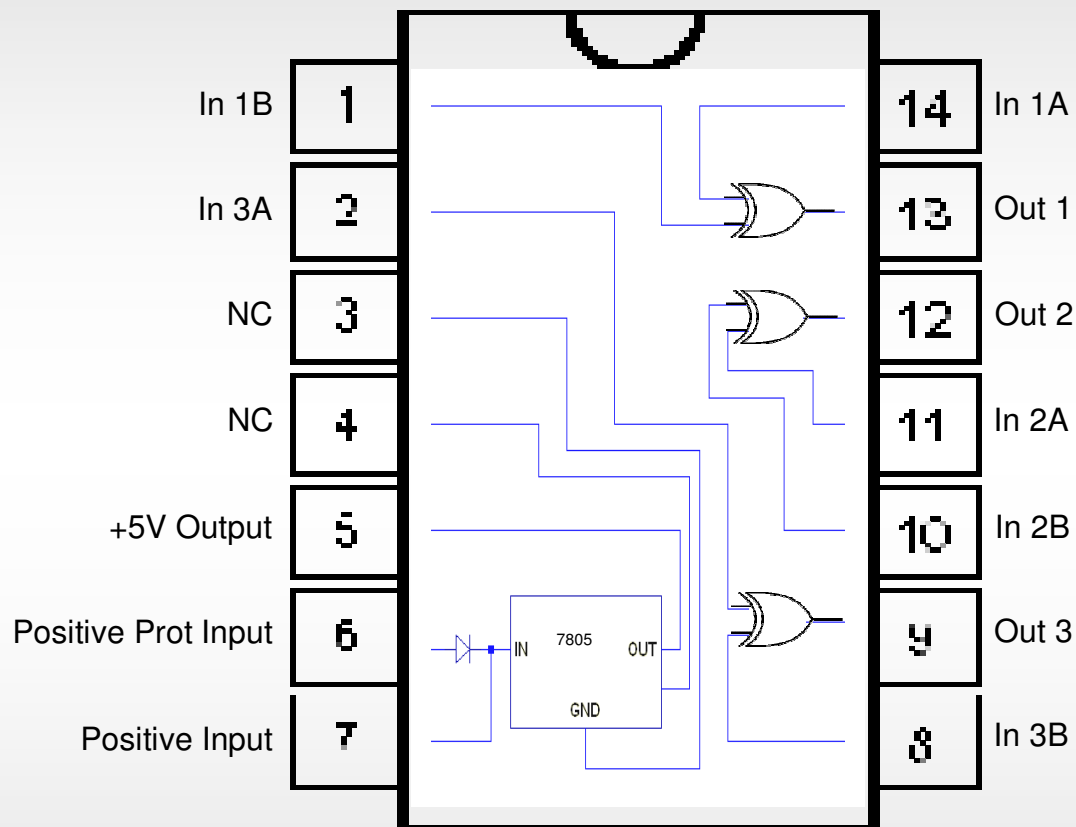


Fixed 5V Positive 1.5 Ampere Regulator with Reverse Protection Diode and 3 X-Or Gates



Electrically isolated fixed +5V voltage regulator and three 54F86 gates, residing in a single package.

The +V input line has a series protection diode, which can be bypassed to reduce drop, if so desired.