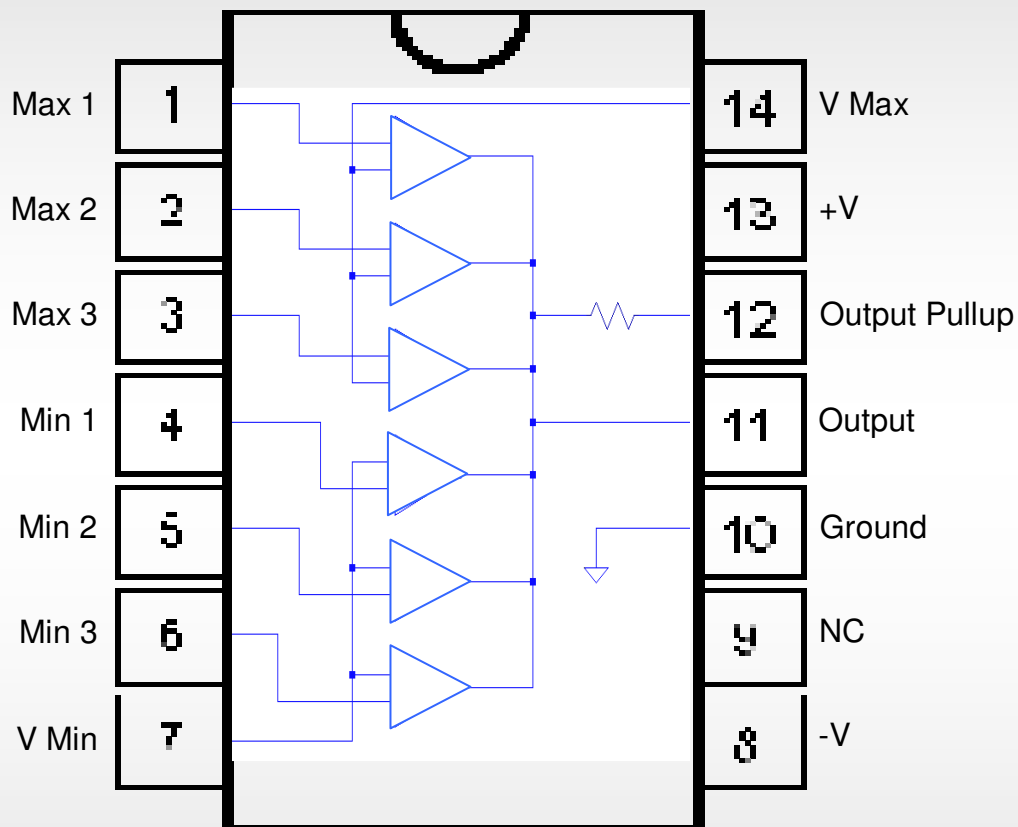


Radiation tolerant, latchup-free

# K22

## BIT Voltage Monitors, Six independent channels, Open collector output, Adjustable BIT threshold voltages



The K22 is a highly adaptable Building Block well suited to a range of Built-In Test monitoring functions. The open collector output of the K22 allows expansion to any number of monitored points, using multiple K22 units Or-tied together. Conversely, unused inputs can be tied off (to high or low voltages) if less points need to be monitored.

The input range of the K22 is very wide, so it can be used to monitor FET Vgates as well as Vdrains, or multiple power supplies, or voltages across PIN diodes in switches, RF detector voltages, etc.

By using Min and Max inputs connected together, window comparisons are easily implemented.