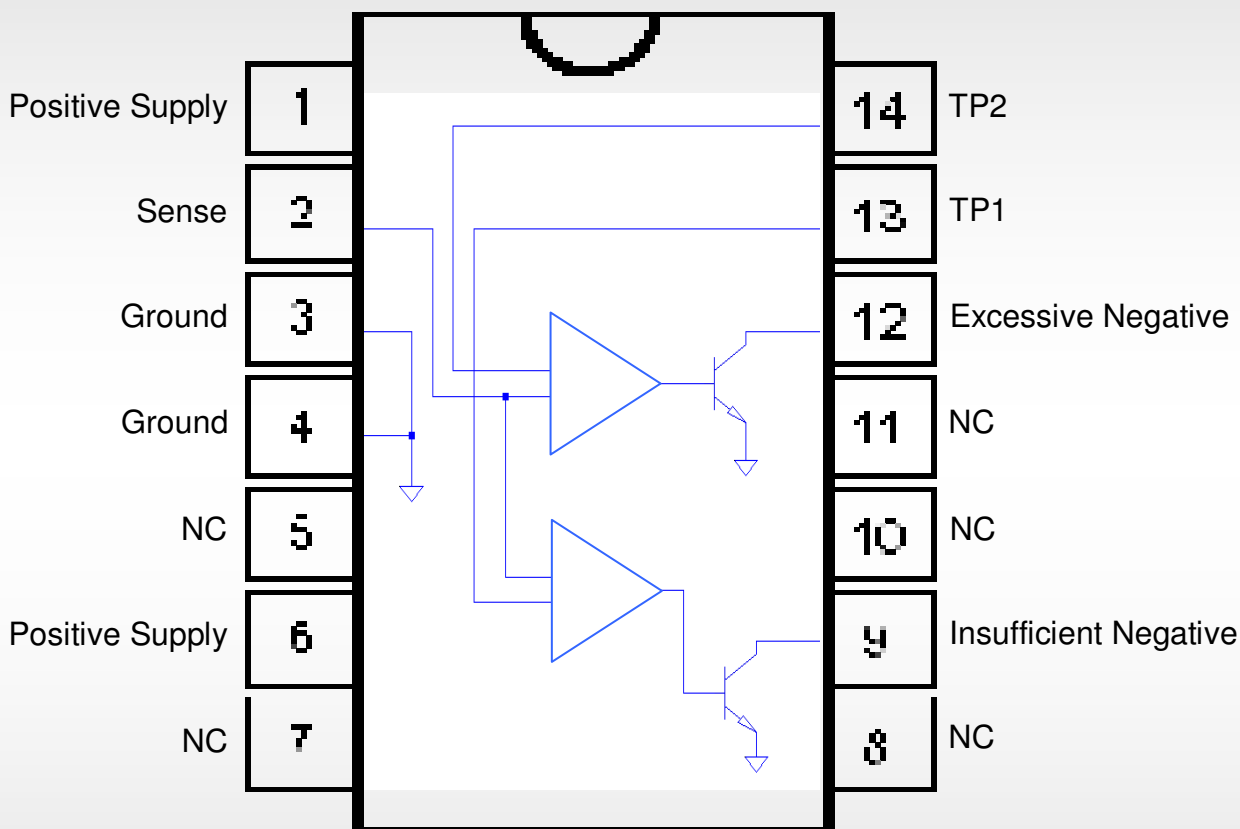


Radiation tolerant, latchup-free

# K24

## GaN Bias Voltage Monitor, Requires +5V only, but monitors over a -5 to -100V range, User-set Hi and Low points



The K24 Building Block is a dual comparator that is optimized for the task of monitoring negative voltages while only requiring a single positive supply, which can be in the range of +3.5V to +10V, as long as it is stable. Furthermore, it is designed with open collector outputs, to make it easy to implement a window comparator function that can provide a logic low output when a monitored negative voltage falls outside of an acceptable range. The K24 can be used to assure the safe operation of GaN switches, FET amps, etc, and can also be used as a power level BIT test when measuring RF detector voltages, among its many uses.

Connect both +V supply inputs externally, since they are not internally connected. Note that the diagram above is intended to show the functionality of the part, but details of the internal circuitry differ slightly from this. Consult the K24 appnote for details on selecting the threshold set resistors.