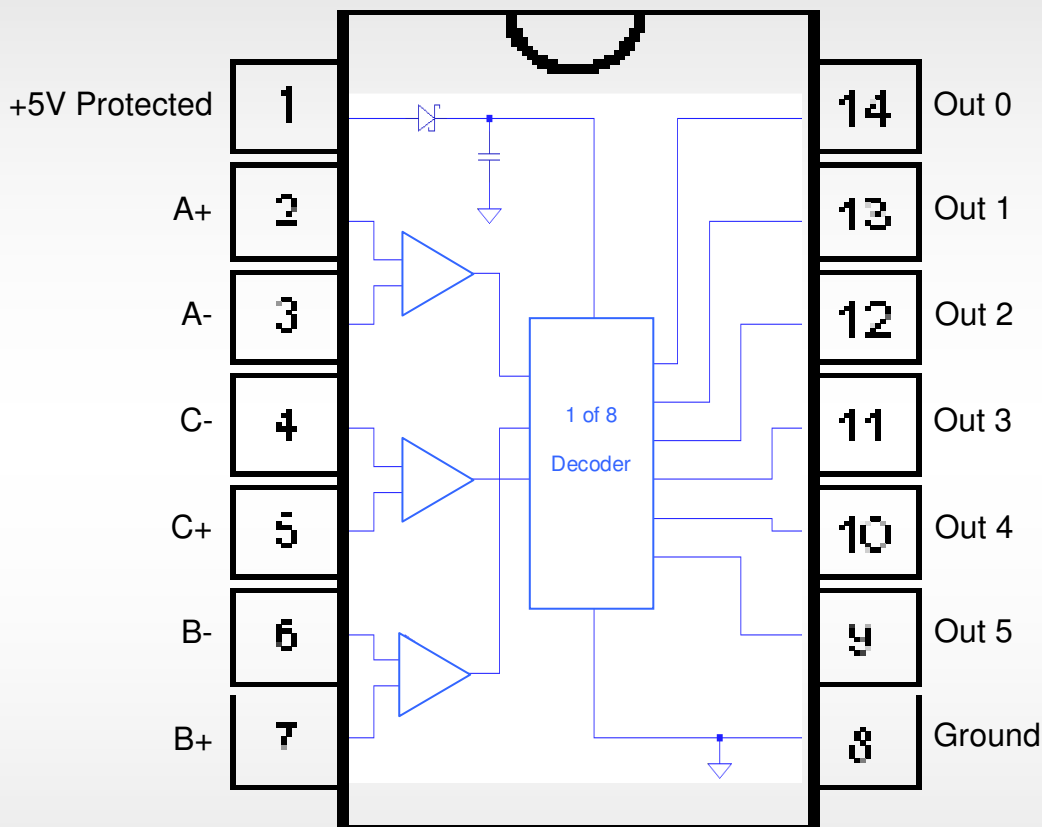


## Three Channels of AM26LS32 Line Receiver, which decode into 6 outputs of a 54F138 Binary Decoder



Three line receivers accept complementary logic over a +/-7V range, with a sensitivity of 200 mV and a built-in 50mV hysteresis for clean switching in noisy environments. This provides RS-422 compatibility, as well as compatibility with a wide range of balanced logic formats.

The outputs of the three decoders feeds into a one-of-six TTL Decoder to select one output to go low while the others remain hi.

The +5V input is diode-protected by a very low-drop shottky diode, and there is an internal .01 uF capacitor to even further simplify integration.